

**Output power:** max. 6000 Watt  
**DC current:** max. 300 A (at 20 V)  
**DC voltage:** max. 600 V (at 10 A)

**Possible applications:** Surface treatment  
 Electroplating Anodizing  
 Testing systems Water treatment

DC power supply with switch mode technology, designed for use in electroplating and/or for installation in a cabinet.



POWER STATION pe4606, front view



POWER STATION pe4606, back view

Available standard sizes (others on request)

Values	Standard sizes – DC output							
DC current	300 A				200 A	150 A	10 A	
DC voltage	6 V	10 V	12 V	15 V	20 V	30 V	40 V	600 V

### Characteristic values

Switch mode technology, digital controlled (DSP)  
 Constant current or constant voltage regulation mode  
 Regulation range for current and voltage: 2 - 100 %  
 Linearity inaccuracy:  
 - for amperage < 0.5 %  
 - for voltage < 0.5 %  
 Ripple less than < 1 % (in relation to the frequency range of 0 - 300 Hz)  
 Efficiency typical: up to 95 % at nominal output power  
 Power factor  $\cos \varphi$ : 0,95  
 Duty cycle: 100 %  
 Soft start function  
 Short-circuit-proof  
 Installation altitude: max. 1000 m above sea level (others on request)  
 Mains supply: 380 V - 460 V / 3; +/- 10 %; 50-60 Hz plug-in system  
 or  
 230 V AC / 1; +/-10 %; 50 - 60 Hz plug-in system  
 (other voltage on request)

### Cooling

Air cooled  
 Sealed cooling air channel; the electronic components are not in direct contact to the air stream  
 Air consumption: max. 100 m<sup>3</sup>/h (power-controlled)  
 Cooling air inlet on connecting side (fan side) (turned air flow on request)  
 Admissible environmental temperatures: 5 - 35 °C (others on request)  
 Over-temperature protected  
 Relative air humidity: max. 85 %, non-condensing

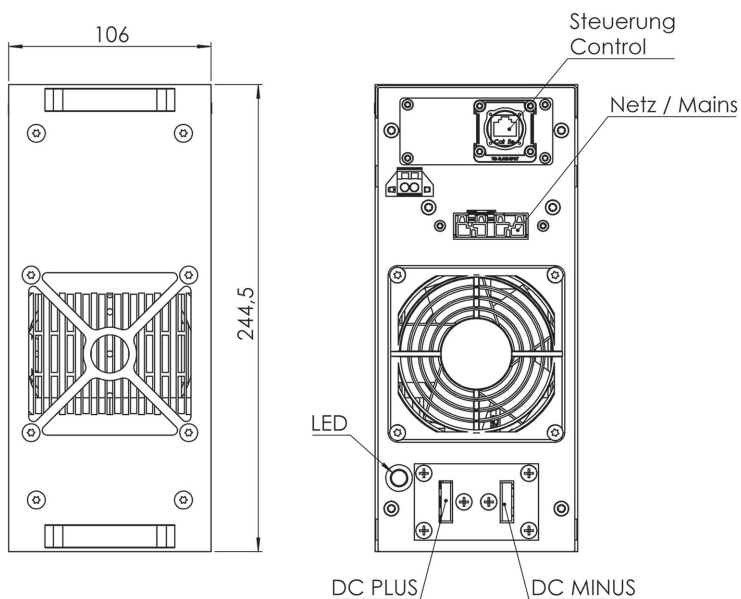
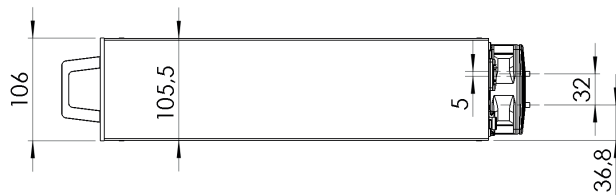
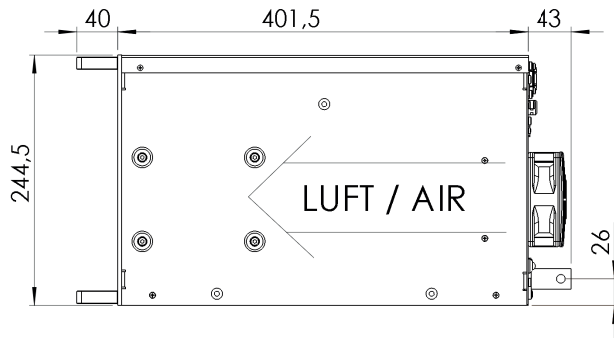
### Display

Status-LED, blink codes

### Standards

CE-conform  
 Low voltage guideline 2014/35/EU  
 RoHS-conform

### Standard dimensions



### Interface

#### peRB-interface

The used data telegram is pre-defined by plating electronic and can only be used in combination with:

- external control unit
- Bus adapter units for common external bus control systems
- Converter peRB-to-analog signals

### Design

Stainless steel casing uncoated (powder-coating on request)

Protecting grade: IP20

Weight: approx. 13 kg

Dimensions: see drawings

### DC connector

Tin-coated copper bars

Size, location and design of the DC output bus bars may differ from the standard

Technical equipment, design and features: subject to change! For further information please contact plating electronic GmbH.

plating electronic GmbH | 79350 Sexau | Fon +49 7641 93500-0 | www.plating.de  
Rheinstr. 4 | Germany | Fax +49 7641 93500-999 | info@plating.de