

Output power:	max.	12000 Watt	Possible applications:	Surface treatment
DC current:	max.	600 A (at 20 V)	Electroplating	Anodizing
DC voltage:	max.	600 V (at 20 A)	Testing systems	Water treatment

DC power supply with switch mode technology, designed for use in electroplating and/or for installation in a cabinet.



POWER STATION pe4606-2, front view



POWER STATION pe4606-2, back view

Characteristic values

Switch mode technology, digital controlled (DSP)
Constant current or constant voltage regulation mode
Regulation range for current and voltage: 2 - 100 %
Linearity inaccuracy:
- for amperage < 1 %
- for voltage < 0.5 %
Ripple less than < 1 % (in relation to the frequency range of 0 - 300 Hz)
Efficiency typical: up to 92 % at nominal output power
Power factor $\cos \varphi$: 0,95
Duty cycle: 100 %
Soft start function
Short-circuit-proof
Installation altitude: max. 1000 m above sea level
Mains supply: standard 380 V - 460 V / 3; +/- 10 %; 50-60 Hz plug-in system (other voltage on request)

Cooling

Air cooled
Sealed cooling air channel; the electronic components are not in direct contact to the air stream
Air consumption: max. 200 m ³ /h (power-controlled)
Cooling air inlet on connecting side (fan side) (turned air flow on request)
Admissible environmental temperatures: 5 - 35 °C (others on request)
Over-temperature protected
Relative air humidity: max. 85 %, non-condensing

Display

Status-LED, Blink-Codes

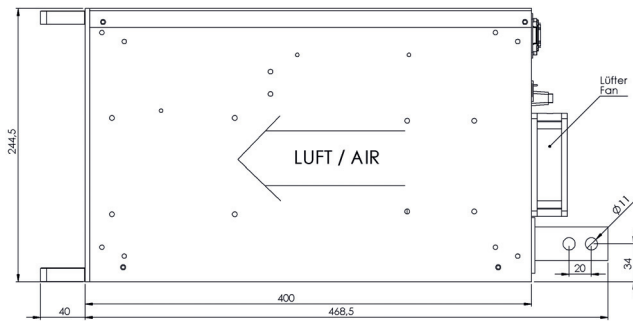
Standards

CE-conform
Low voltage guideline 2014/35/EU
RoHS-conform

Available standard sizes (others on request)

Values	Standard sizes – DC output								
DC current	600 A				400 A	60 A	20 A		
DC voltage	6 V	10 V	12 V	15 V	20 V	30 V	200 V	600 V	

Standard dimensions



Interface

peRB-interface

The used data telegram is pre-defined by plating electronic and can only be used in combination with:

- external control unit
- Bus adapter units for common external bus control systems
- Converter peRB-to-analog signals

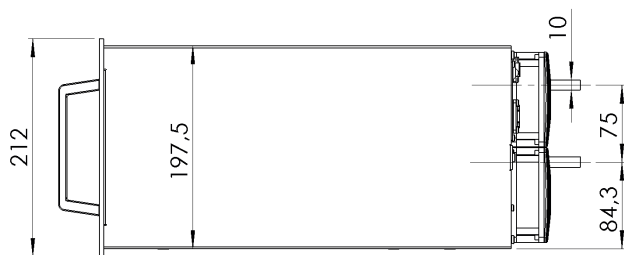
Design

Stainless steel casing uncoated (powder-coating on request)

Protecting grade: IP20

Weight: approx. 24 kg

Dimensions: see drawings



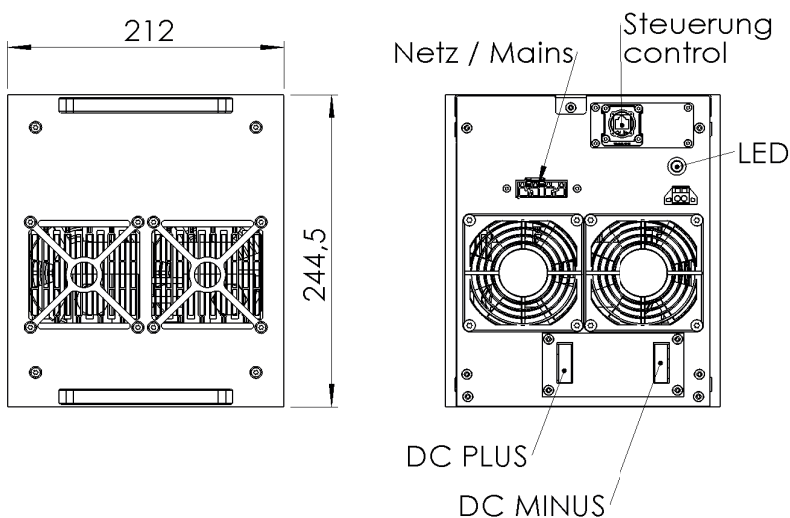
DC connector

Tin-coated copper bars *

Size, location and design of the DC output bus bars may differ from the standard

* DC output bus bars from 30 A or up to 48 V

* High voltage clamps from 0 - 30 A or 50 V and higher



Technical equipment, design and features: subject to change! For further information please contact plating electronic GmbH.